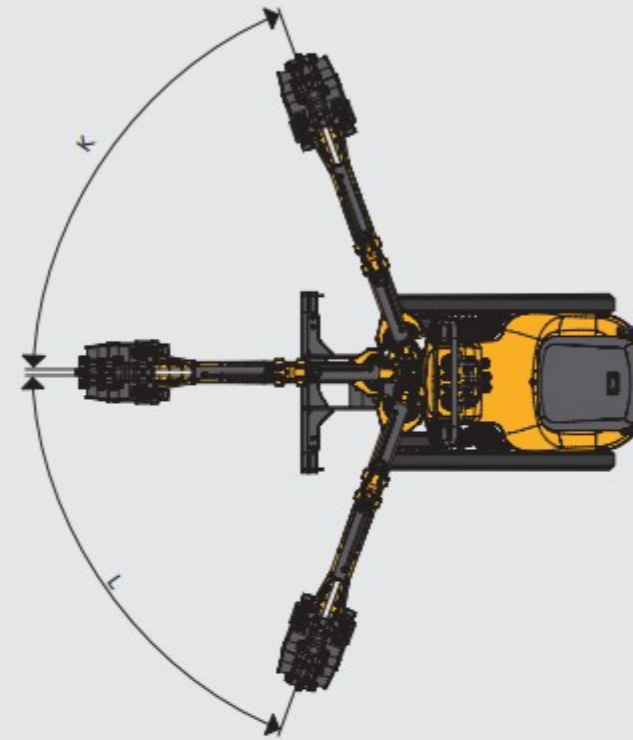
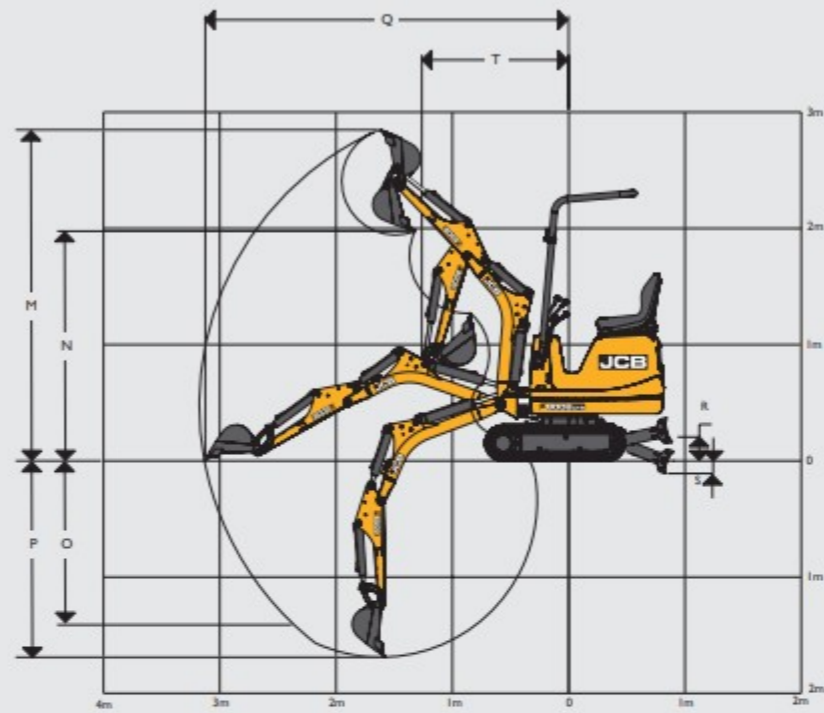


SPECIFICATION

8008/8010 CTS MICRO EXCAVATORS

WORKING RANGE



Machine model		8008	8010
Dipper	mm	880	950
K Boom swing right	degrees	70	70
L Boom swing left	degrees	70	70
M Max dig height	mm	2840	2700
N Max dump height	mm	1980	1895
O Max vertical dig depth	mm	1480	1763
P Max dig depth-dozer up	mm	1690	2065
Max dig depth-dozer down	mm	-	2150
Q Max ground level reach	mm	3110	3190
Bucket rotation	degrees	191°	201°
R Dozer cut above ground	mm	200	156
S Dozer cut below ground	mm	110	169
T Min. slew radius	mm	1240	1110